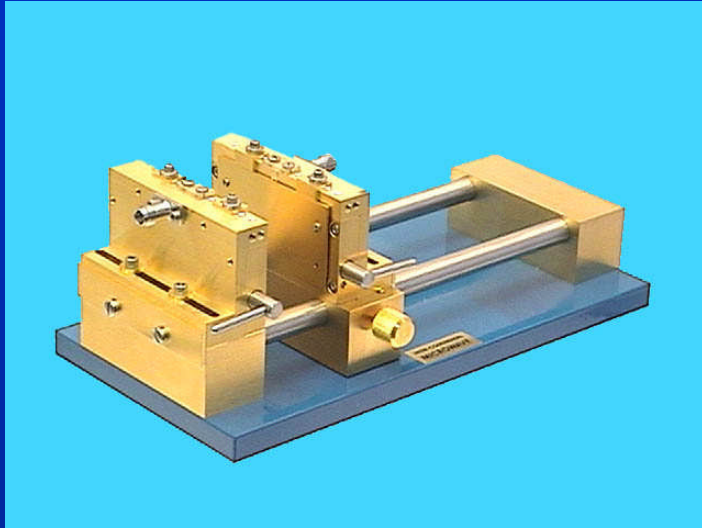


# Universal Substrate Test Fixture



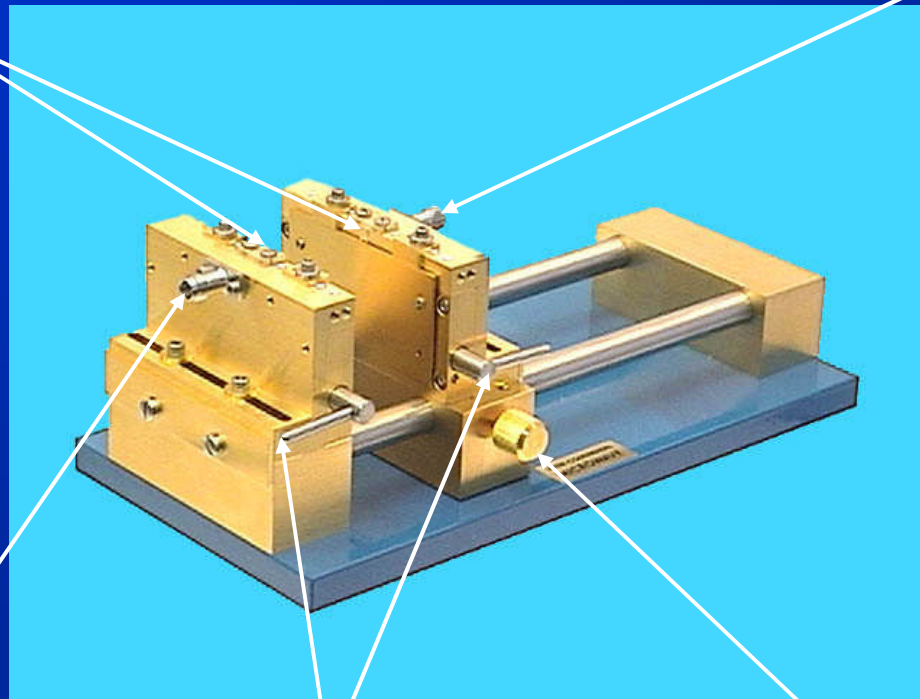
Universal Substrate Test Fixture

- Universal Substrate Test Fixture
  - Easy testing of devices with microstrip launches
  - Wide frequency range DC-26.5, DC-40
  - APC-7, APC-3.5, K, Super-SMA and 2.4 mm connectors available
  - Can accommodate a Device thickness from 10 – 75 mils
  - Device length from 0.2 – 4.75”
  - Easy operation with 2 levers
  - TRL Calibration Standards available

# Elements of the Universal Substrate TF

RF-pin supports

Movable Output Transition



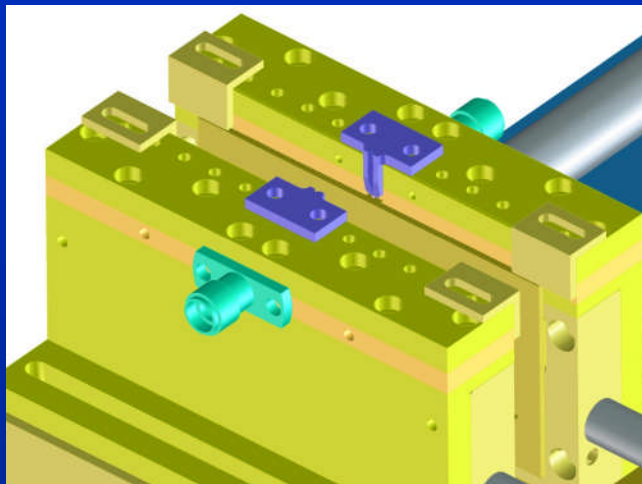
Fixed Input Transition

Levers to activate ground plates

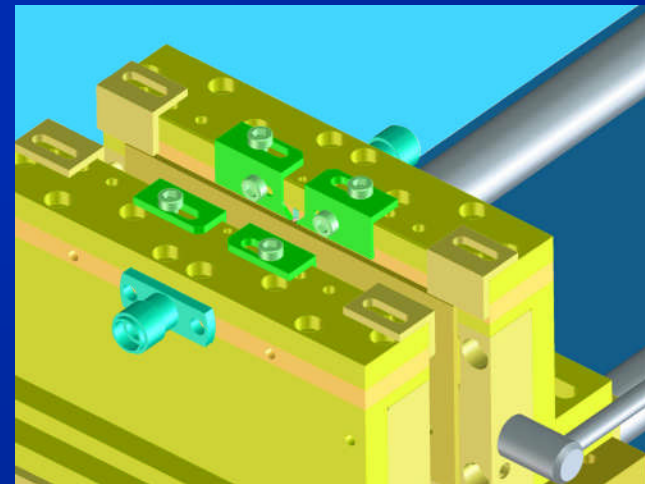
Knob to secure output transition

# NEW Microstripand Coplanar

New Models allow simple conversion from  
Microstrip to Coplanar configuration



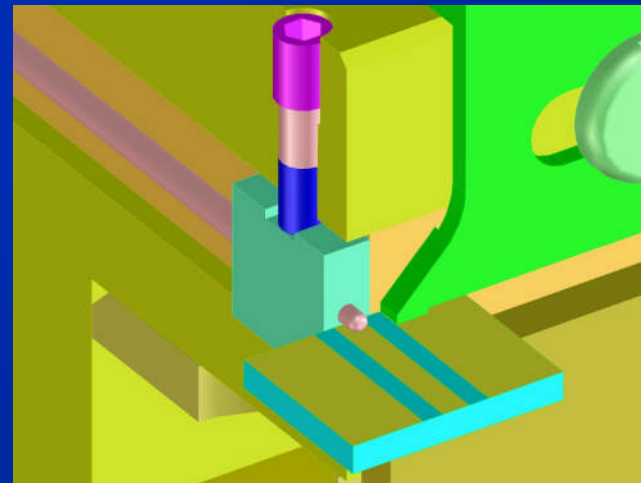
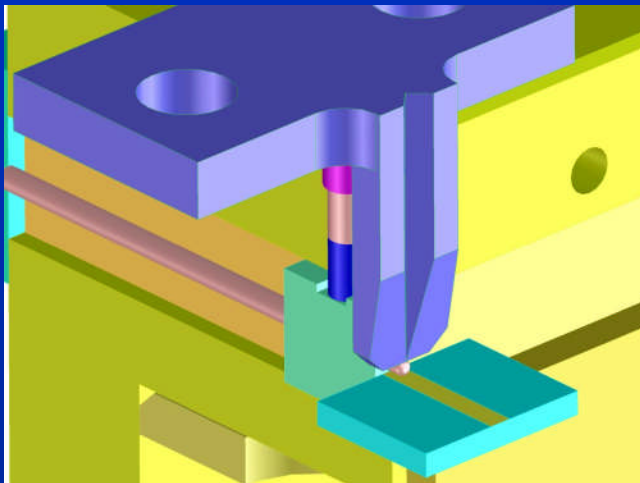
Microstrip Configuration with RF-  
pin support



Coplanar Configuration with  
adjustable ground contacts

# How does it work ?

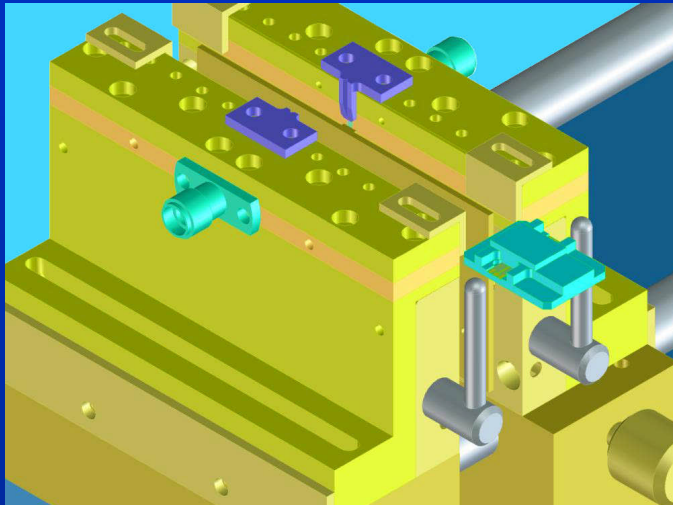
NEW Square-Hole Launch (Patent pending)



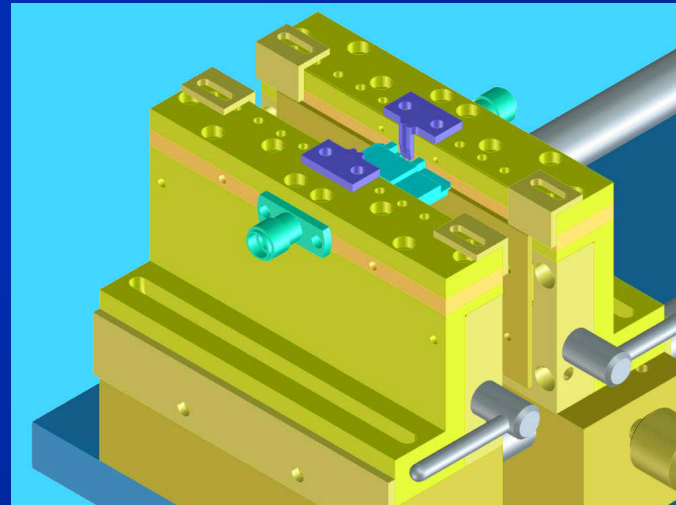
–The RF-Pin can move up and down and is spring loaded vertically.

# SimpleOperation

6 easy steps to insert a device



- Rotate the handles to the vertical position
- The Ground Plates move down
- Set the correct width for the DUT

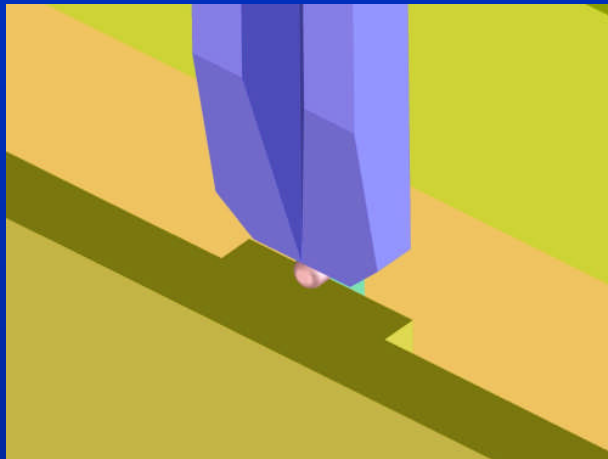


- 4) Slide in the DUT to the center
- 5) Rotate the handles towards the outside
- 6) The Ground Plates move up

# EasyConversion

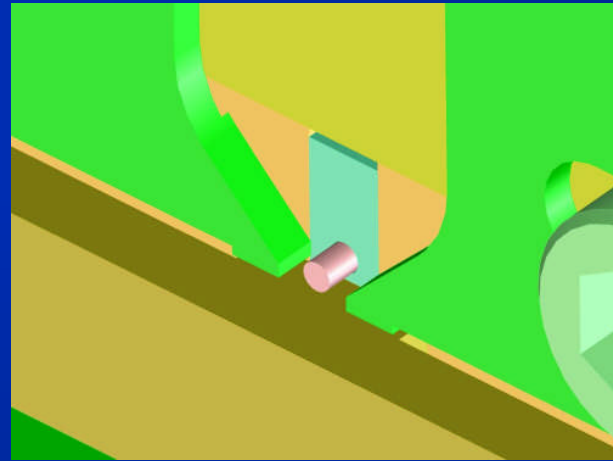
Example of Microstrip to Coplanar Conversion

Microstrip Configuration



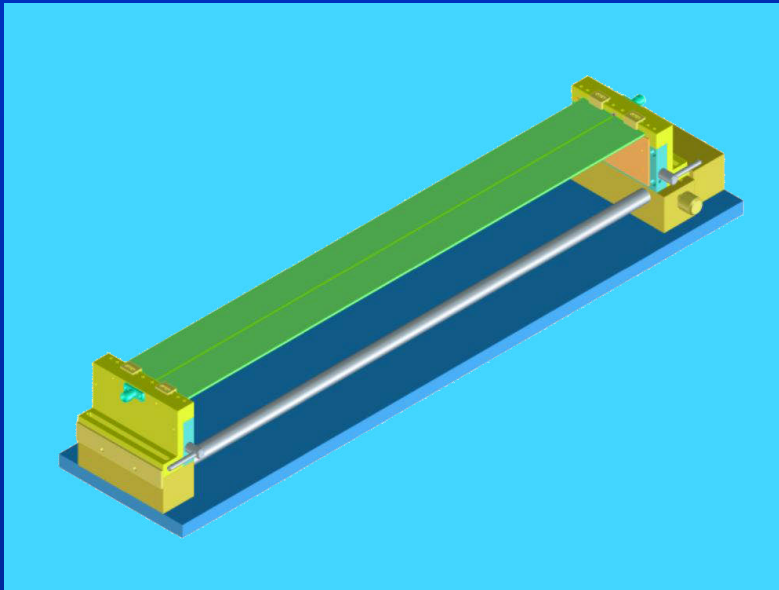
Remove RF-Pin Support

Coplanar Configuration



Install Coplanar Grounds,  
Adjust for desired width.

# Extended length Models available:



DUT length:

0.2" - 4.75" (Standard)

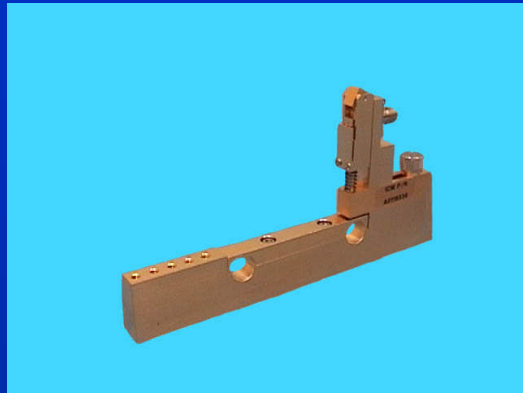
0.2" - 6.75" **NEW**

0.2" - 8.75" **NEW**

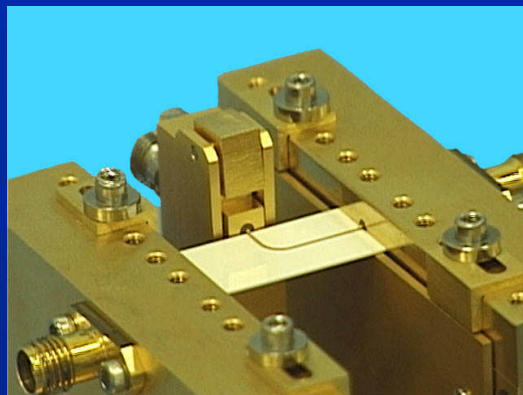
0.2" - 15.0" **NEW**

Previously sold models can be upgraded

# 3<sup>rd</sup> RF Input on Substrate Test Fixture

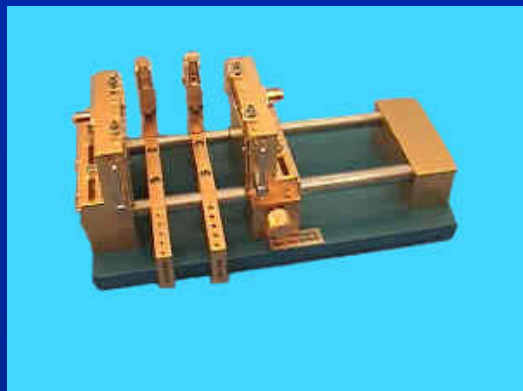
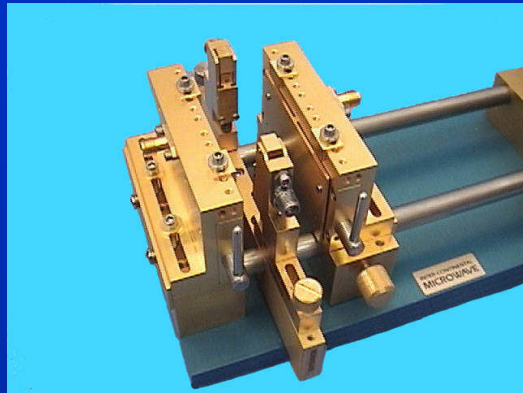


- 3<sup>rd</sup> RF Input at 90 degrees
  - Clamp on base for 3<sup>rd</sup> and 4<sup>th</sup> RF
  - 3<sup>rd</sup> RF position fully adjustable
  - Different connector styles available



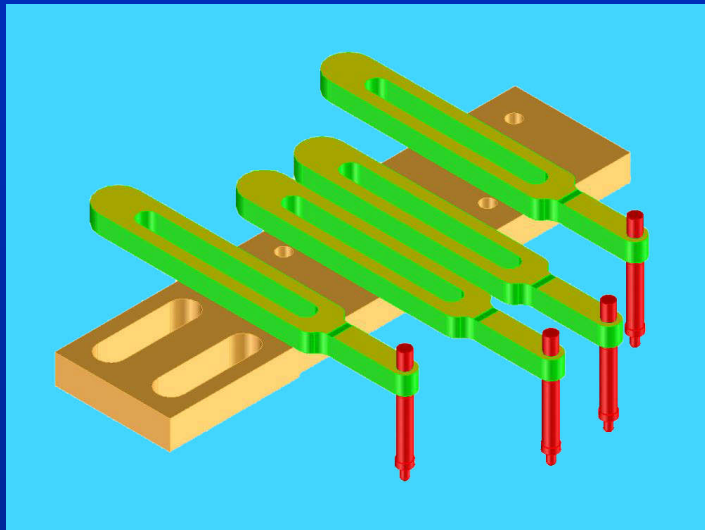


# Additional Inputs on Substrate Test Fixture



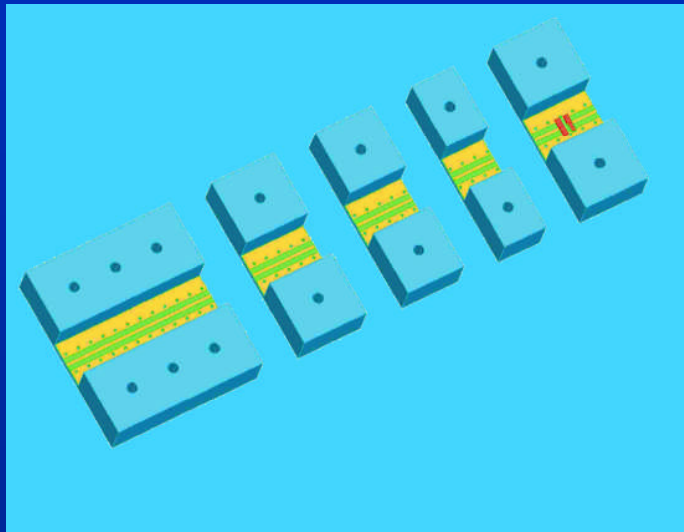
- 2 or more additional inputs
  - Multiple clamp on bases can be attached
  - Each clamp on base can have 2 additional RF inputs
  - Spacing between clamp on bases adjustable
  - Positions of additional RF inputs adjustable
  - Use extended length Substrate Test Fixture for wide separation of additional RFs

# DC Input Options on Substrate Test Fixture



- DC probes for active circuits
  - DC probes can be mounted on the fixed and movable transitions
  - Use optional mounting plate for more DC inputs probes
  - DC probe positions fully adjustable
  - All DC probes are spring loaded
  - Bypass capacitors can be added at the probes
  - Custom DC probes available

# Calibration Standards for Substrate Test Fixture



- In Fixture Calibration
  - In Fixture calibration eliminates influences from the test fixture
  - All standards mounted on convenient inserts
  - 10, 15 and 25 mil alumina microstrip standards, 200 mil Thru length available
  - 25 mil alumina microstrip, 660 mil thru length
  - Many Calibration Standards for soft board materials
  - Custom Calibration Standards on request



*The World-Wide Authority in the Design & Manufacture of Microwave Test Fixtures*

- Where to get more information:
  - [www.icmicrowave.com](http://www.icmicrowave.com)
  - Call your local representative
  - Call Inter-Continental Microwave
    - Tel: (480) 940-0740, Fax: (480) 961-4754
    - E-mail: [sales@icmicrowave.com](mailto:sales@icmicrowave.com)